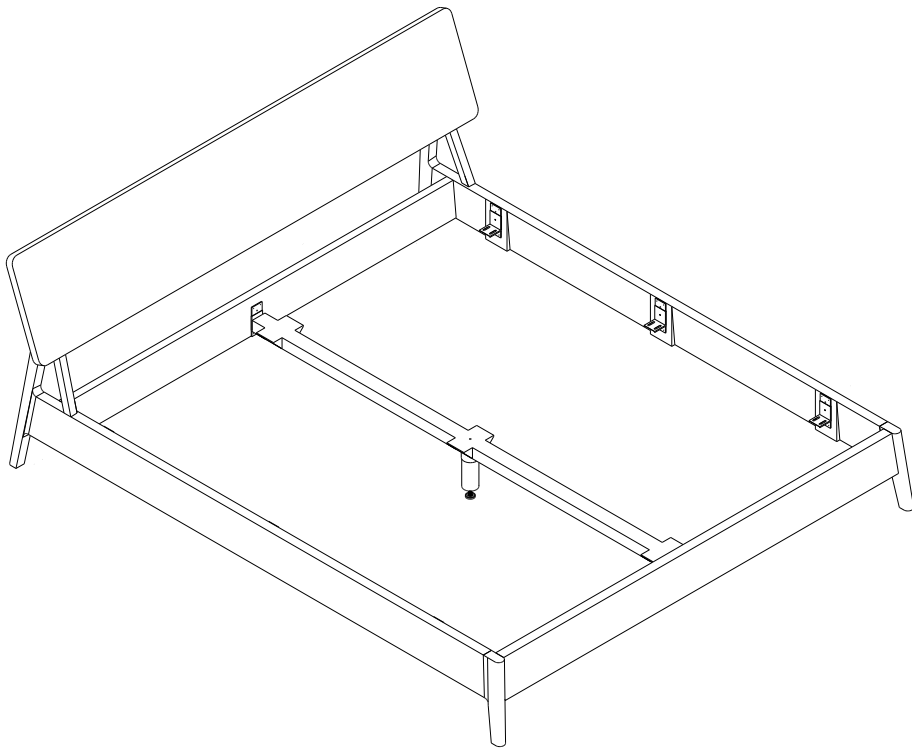


Ethnicraft

ASSEMBLY INSTRUCTIONS FOR BED INSTALLATION

AIR BED - WITHOUT SLATS

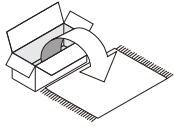
CODE	DESCRIPTION
51211	OAK AIR BED - WITHOUT SLATS 180/200/95
51212	OAK AIR BED - WITHOUT SLATS 160/200/95
51191	OAK AIR BROWN BED - WITHOUT SLATS 180/200/95
51192	OAK AIR BROWN BED - WITHOUT SLATS 160/200/95



AIR BED - WITHOUT SLATS ASSEMBLY INSTRUCTIONS FOR BED INSTALLATION



NOTE



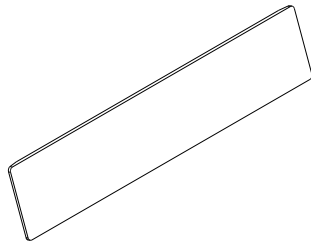
- CAREFULLY OPEN THE CARTON,
- REMOVE CONTENTS AND LAY OUT ON CARPET OR THE PACKAGING CARTON BOX OR OTHER PROTECTIVE SURFACE TO AVOID DAMAGE.
- CHECK PACKAGE CONTENTS TO ASSURE ALL THE NECESSARY HARDWARE AND PARTS ARE RECEIVED UNDAMAGED.
- DO NOT USE DAMAGE OR DEFECTIVE PARTS/HARDWARE.
- CONTACT ETHNICRAFT FOR ANY MISSING PART AND/OR HARDWARE.



- READ ASSEMBLY INSTRUCTIONS BEFORE INSTALLATION, CAREFULLY FOLLOWING THE DIRECTIONS GIVEN.
- SEEK PROFESSIONAL ADVICE IF YOU ARE NOT FAMILIAR WITH DIRECTIONS OF THIS INSTALLATION OR IF YOU HAVE ANY DOUBTS ABOUT SAFETY.

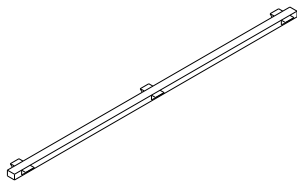


- IT IS ADVISED TO CONDUCT THIS ASSEMBLY WITH A MINIMUM OF 2 PERSONS.



(D) BED HEAD 1 piece

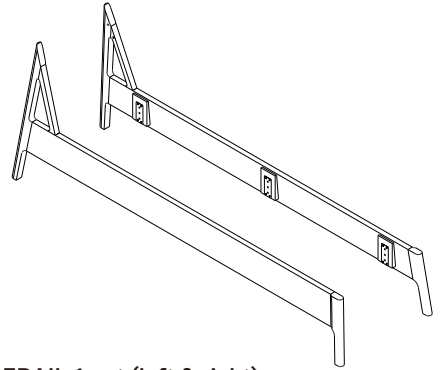
CODE	DESCRIPTION
P4634	BED HEAD FOR 180 WIDTH
P4637	BED HEAD FOR 160 WIDTH
P4972	BED HEAD FOR 180 WIDTH - BROWN
P4975	BED HEAD FOR 160 WIDTH - BROWN



(E) CENTER SUPPORT 1 piece

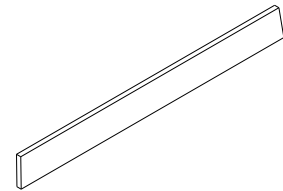
CODE	DESCRIPTION
H1295	CENTER SUPPORT FOR 200 LENGTH
P----	CENTER SUPPORT FOR 220 LENGTH

PARTS TO ASSEMBLE



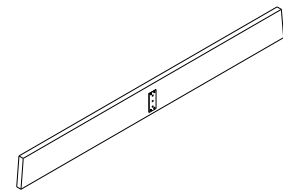
(A) SIDERAIL 1 set (left & right)

CODE	DESCRIPTION
P4631	SIDERAIL
P4978	SIDERAIL - BROWN



(B) FOOTBOARD 1 piece

CODE	DESCRIPTION
P4632	FOOTBOARD FOR 180 WIDTH
P4635	FOOTBOARD FOR 160 WIDTH
P4974	FOOTBOARD FOR 180 WIDTH - BROWN
P4977	FOOTBOARD FOR 160 WIDTH - BROWN



(C) HEADBOARD 1 piece

CODE	DESCRIPTION
P4633	HEADBOARD FOR 180 WIDTH
P4636	HEADBOARD FOR 160 WIDTH
P4973	HEADBOARD FOR 180 WIDTH - BROWN
P4976	HEADBOARD FOR 160 WIDTH - BROWN



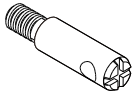

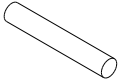
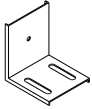
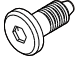
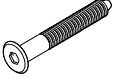
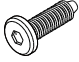
(F) CENTER LEG 1 piece

CODE	DESCRIPTION
H1296	CENTER LEG

AIR BED - WITHOUT SLATS ASSEMBLY INSTRUCTIONS FOR BED INSTALLATION

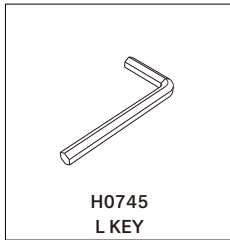


HARDWARE ENCLOSED

 H0136 BOLT CONNECTOR (4pcs)	 H0137 SCREW CONNECTOR (4pcs)	 H0638 DOWEL (4pcs)	 H2016 L BRACKET (8pcs)	 H2017 JCBC SCREW M6x6 (8pcs)
 H0983 COUNTERSUNK SCREW M6x50 (1pc)	 H0828 JCBC SCREW M6x20 (4pcs)			

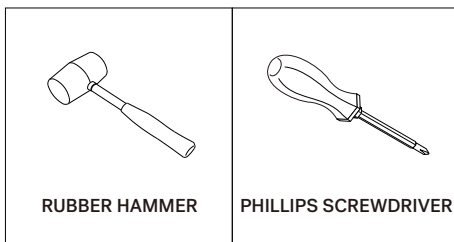
TOOLS

(Included in package)



TOOL

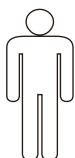
(Not included in package)



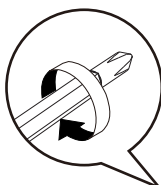
SYMBOLS



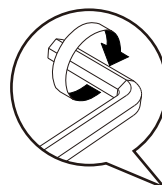
DIRECTION



NUMBER OF
PERSONS NEEDED



USE PHILLIPS SCREWDRIVER
TO TIGHTEN



USE L KEY
TO TIGHTEN



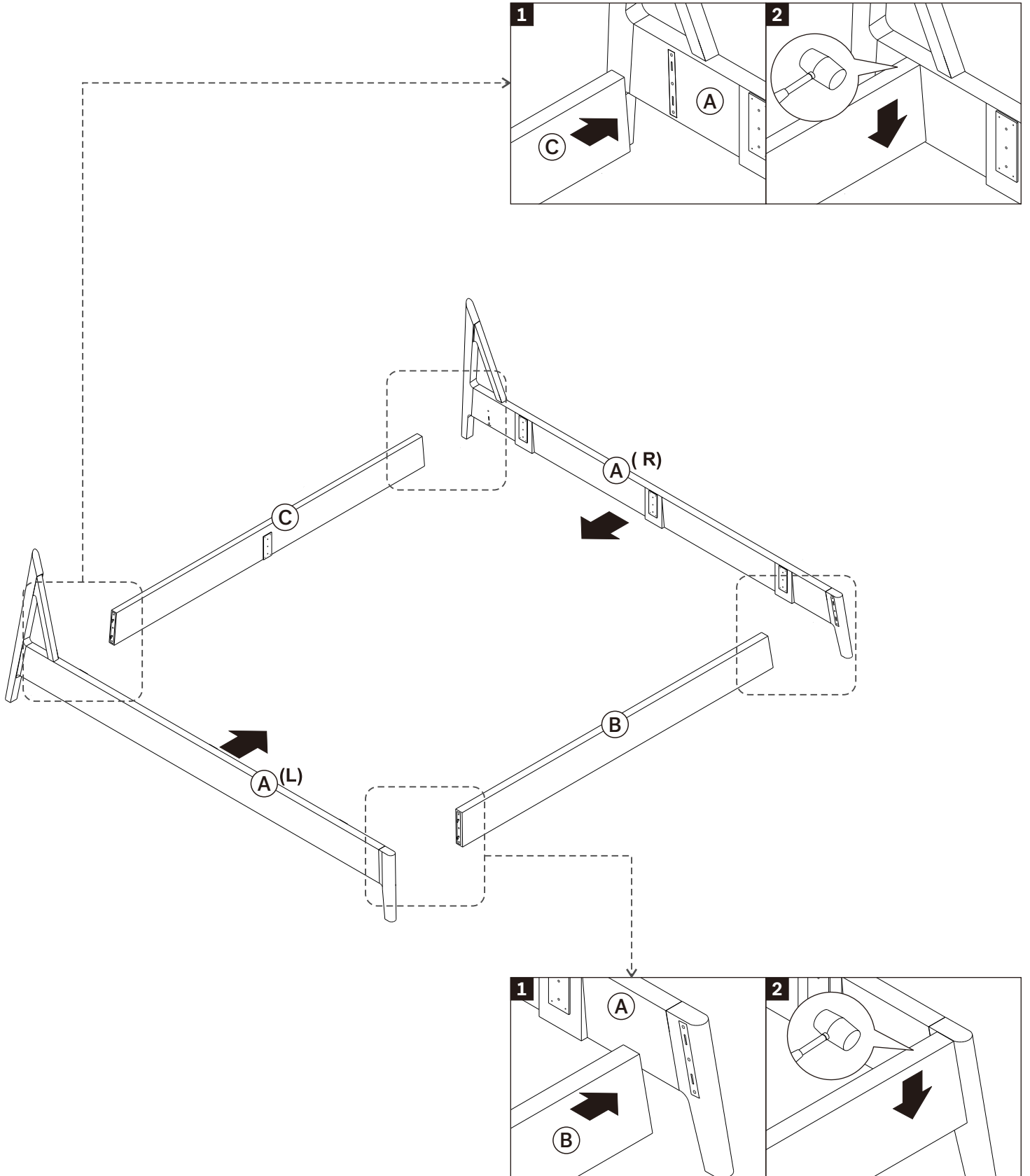
USE RUBBER
HAMMER



USE HAND

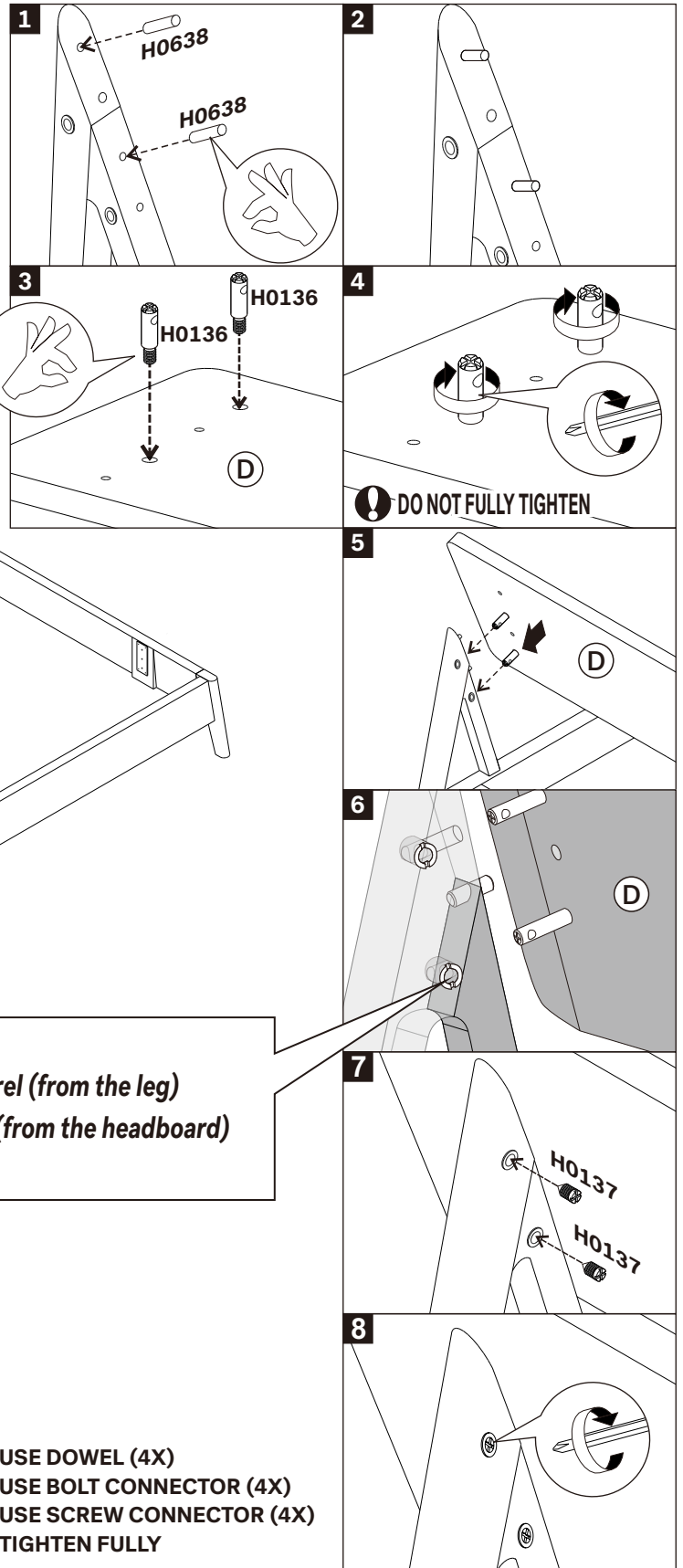
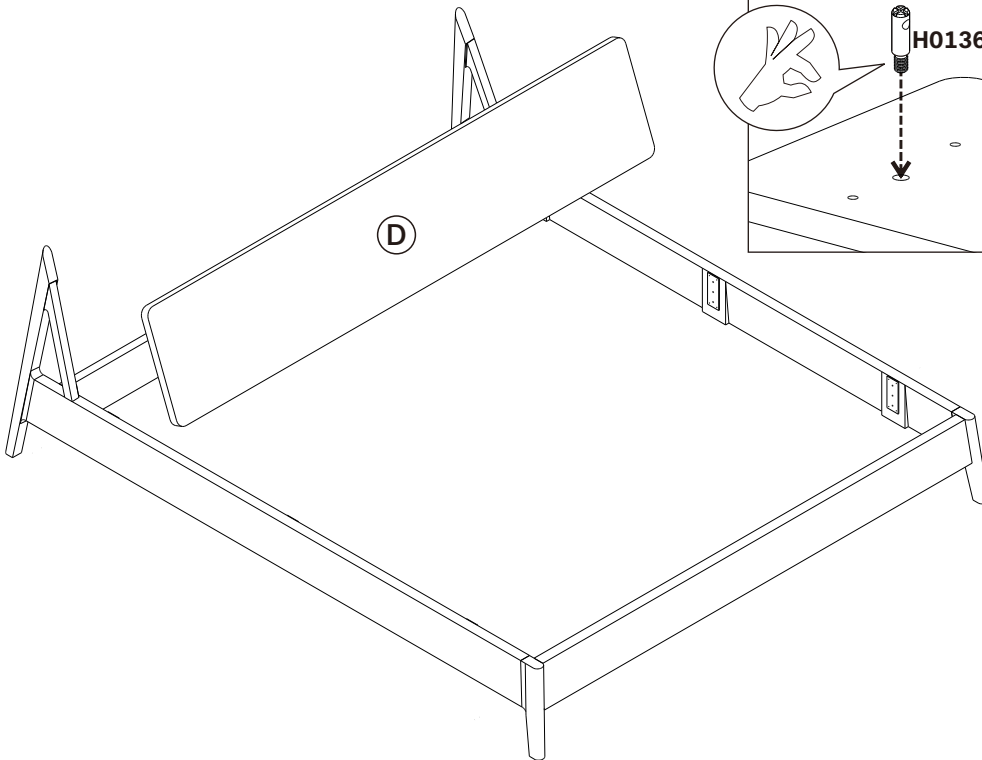


A INSTALLING SIDERAIL + FOOTBOARD + HEADBOARD RAIL





B INSTALLING HEADBOARD



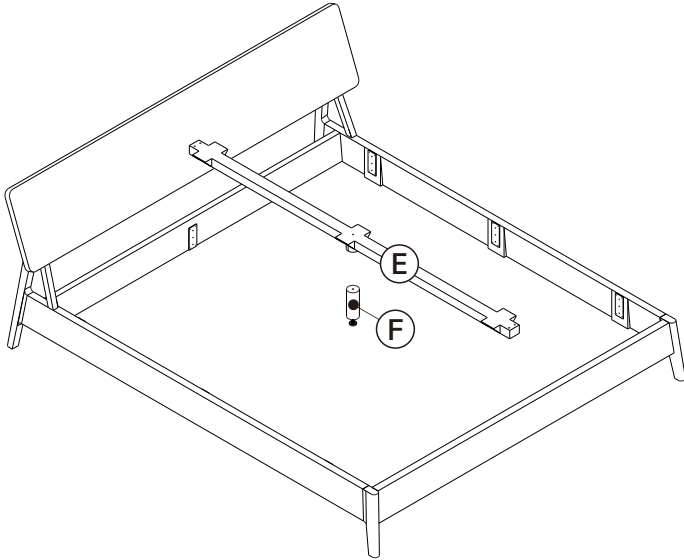
Note:
Before placing the headboard turn the barrel (from the leg) with a screwdriver so the bolt-connectors (from the headboard) fit into the barrels.



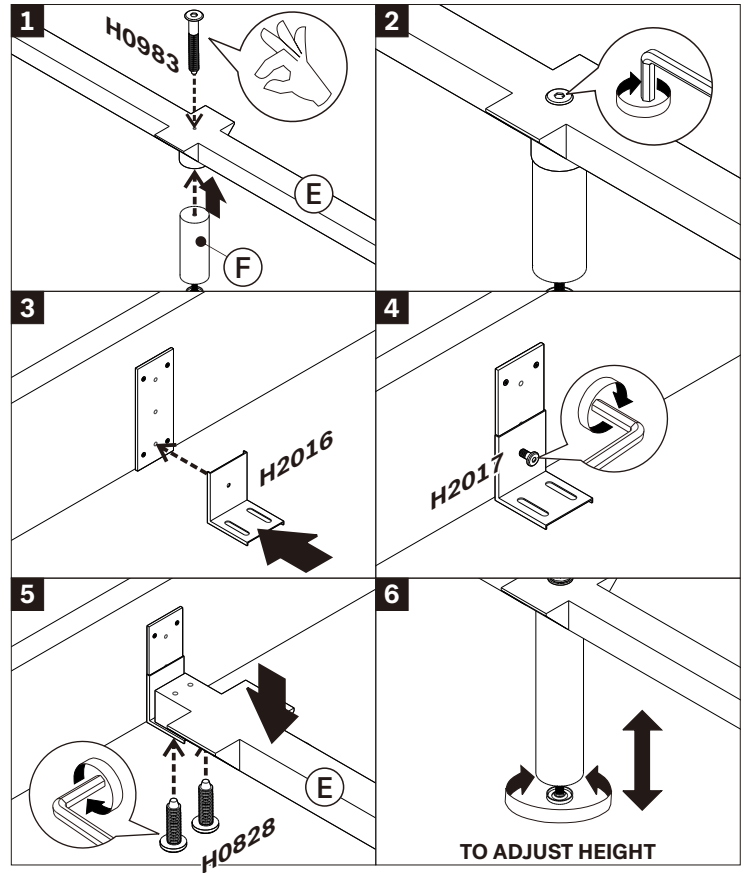
- USE DOWEL (4X)
- USE BOLT CONNECTOR (4X)
- USE SCREW CONNECTOR (4X)
- TIGHTEN FULLY



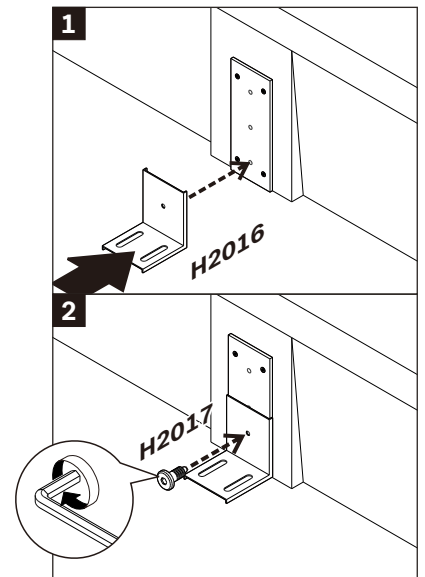
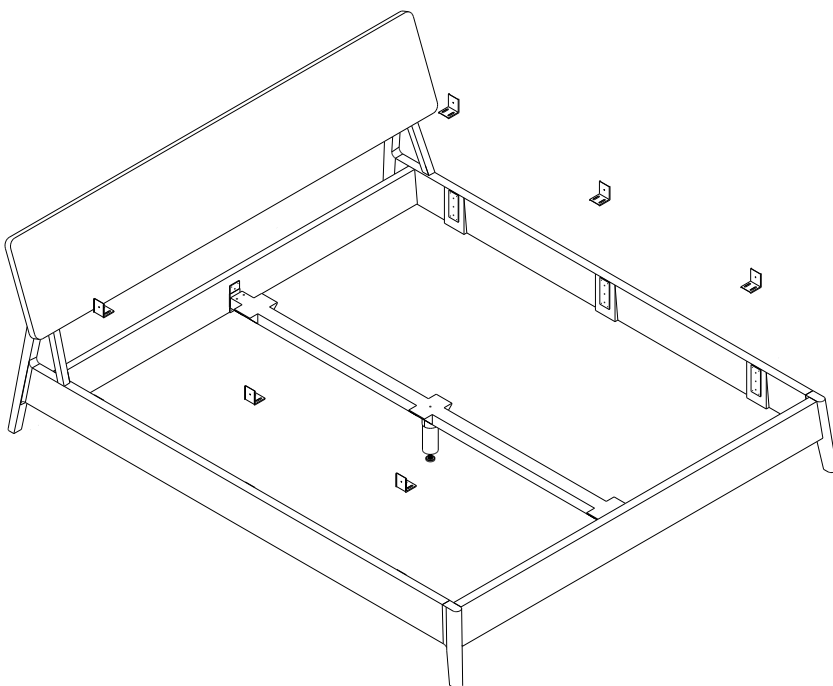
C INSTALLING MIDDLE SUPPORT & CENTER LEG



- USE JCBC SCREW M6x6mm (2X)
- USE COUNTERSUNK SCREW M6x50mm (1X)
- USE JCBC SCREW M6x20mm (4X)
- TIGHTEN FULLY ALL SCREWS



D INSTALLING L BRACKET TO SIDE RAIL



- USE JCBC SCREW M6x6mm (6X)
- TIGHTEN FULLY ALL SCREWS