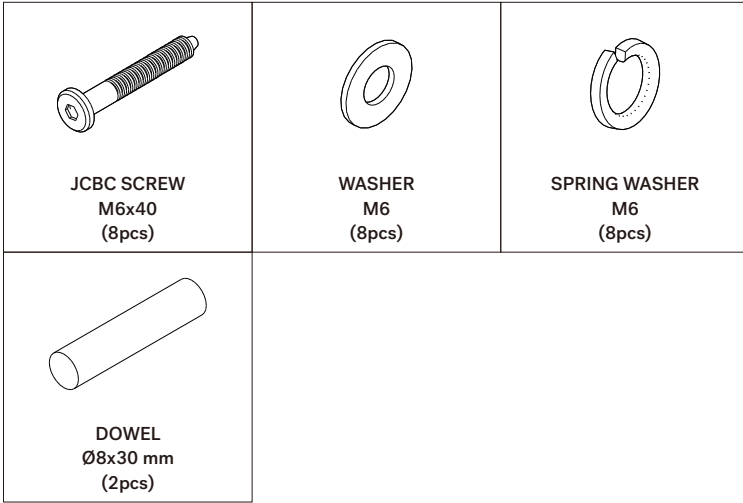
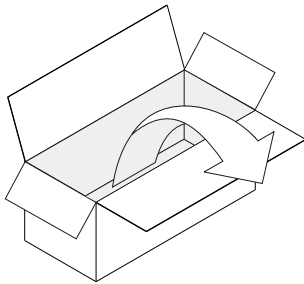
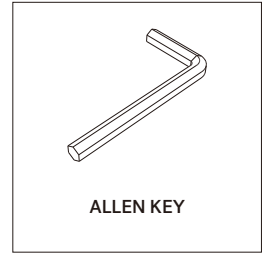


PI COFFEE TABLE ASSEMBLY INSTRUCTIONS FOR COFFEE TABLE INSTALLATION

HARDWARE ENCLOSED



TOOL ENCLOSED

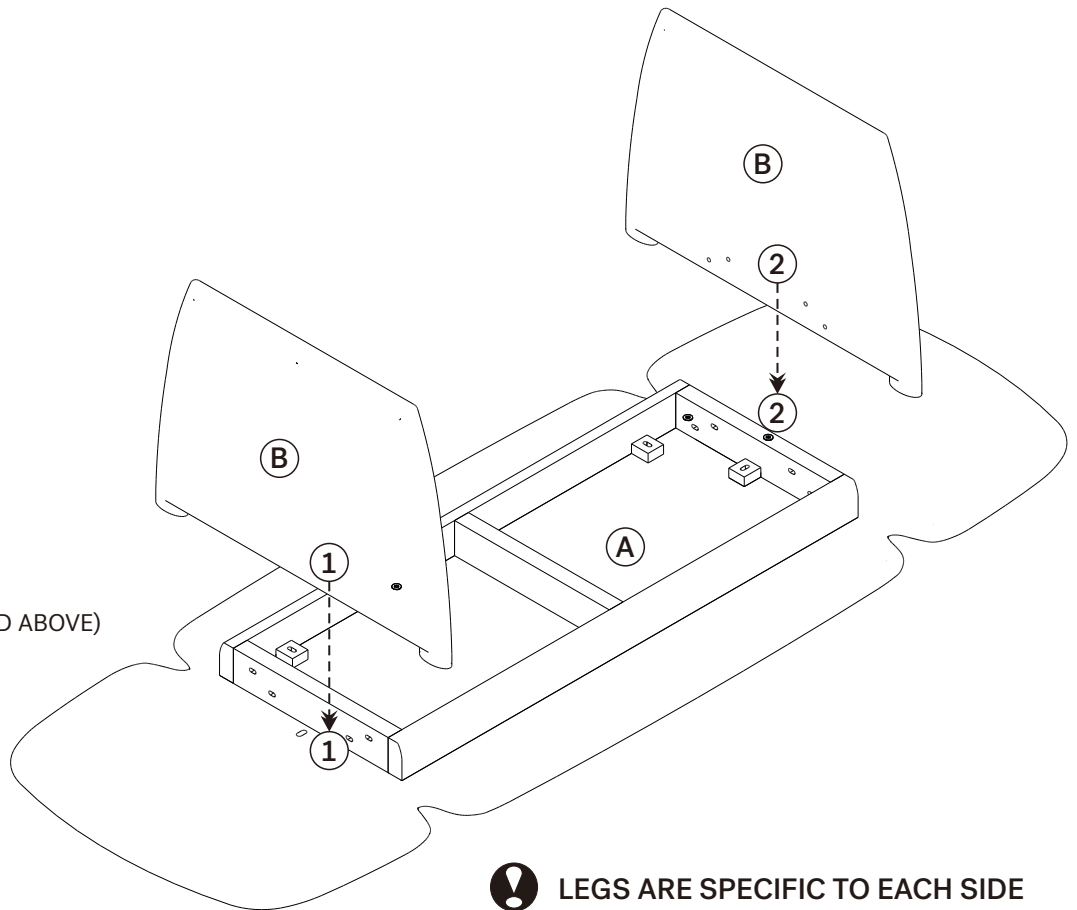


IN YOUR PACKAGE :

ASSEMBLY INSTRUCTIONS
HARDWARE & TOOLS (AS LISTED ABOVE)

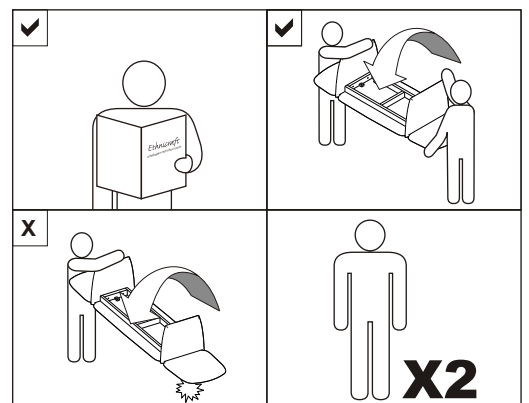
PARTS TO BE INSTALLED

- A. TABLE TOP 1pc
- B. LEGS 2pcs



! LEGS ARE SPECIFIC TO EACH SIDE

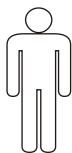
NOTICE



SYMBOLS



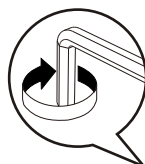
DIRECTION



NUMBER OF
PERSONS NEEDED



USE HAND

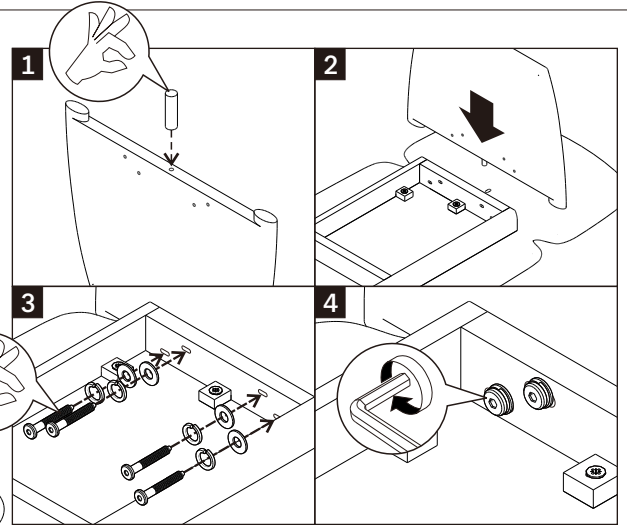
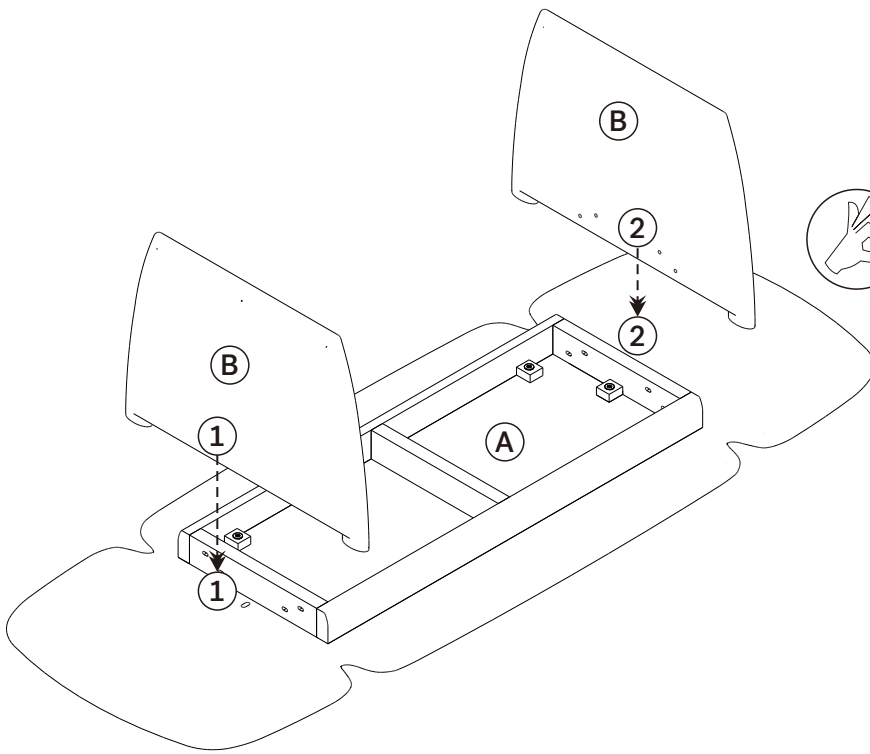


USE ALLEN KEY
TO TIGHTEN

PI COFFEE TABLE

ASSEMBLY INSTRUCTIONS FOR COFFEE TABLE INSTALLATION

A INSTALLING LEGS TO TABLE TOP



- WORK ON A SOFT SURFACE TO AVOID DAMAGING PARTS DURING ASSEMBLY
- USE DOWEL Ø8x30 (2X)
- ! - USE WASHER M6 (8X)
- USE SPRING WASHER M6 (8X)
- USE JCBC SCREW M6x40 (8X)
- TIGHTEN SCREWS FULLY

B FINISH

