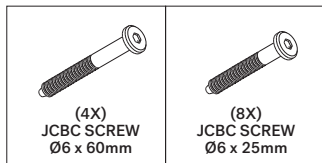
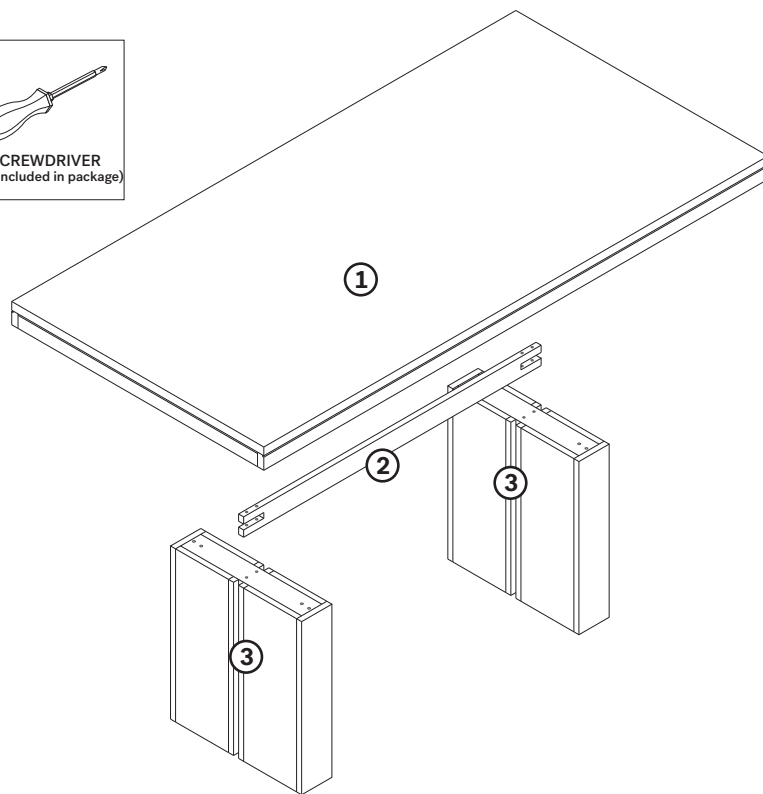
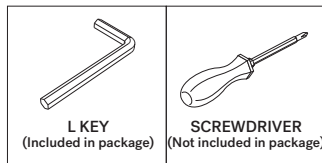


OAK DOUBLE EXTENDABLE DINING TABLE ASSEMBLY INSTRUCTIONS FOR DINING TABLE INSTALLATION

HARDWARE ENCLOSED



TOOLS



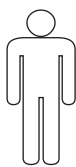
IN YOUR PACKAGE :
ASSEMBLY INSTRUCTIONS
HARDWARE (AS LISTED ABOVE)

PARTS TO BE INSTALLED
1. TOP PANEL 1pc
2. CONNECTING BAR 1pc
3. LEGS 2pcs

SYMBOLS



DIRECTION



NUMBER OF PERSONS NEEDED



USE HAND

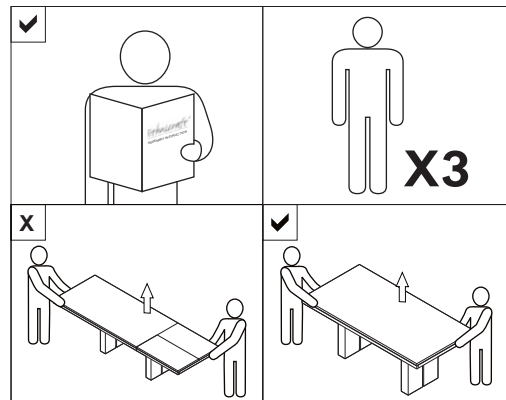


USE L KEY TO TIGHTEN



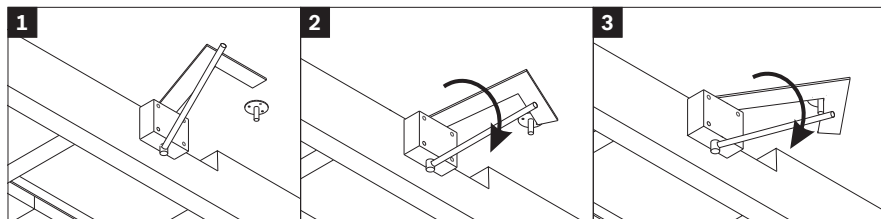
USE SCREWDRIVER TO TIGHTEN

NOTICE

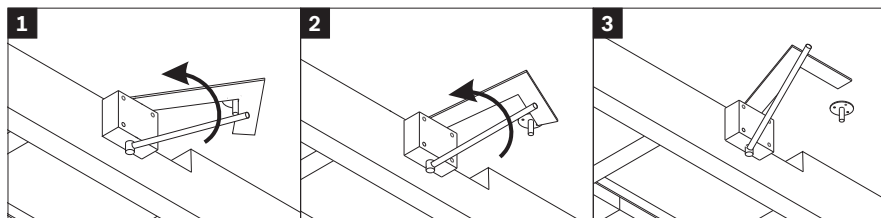


WHEN LIFTING THE TABLE :
- LIFT ONLY ON THE APRON
- MAKE SURE TABLE IS IN UNEXTENDED POSITION

LOCK THE TABLE TOP

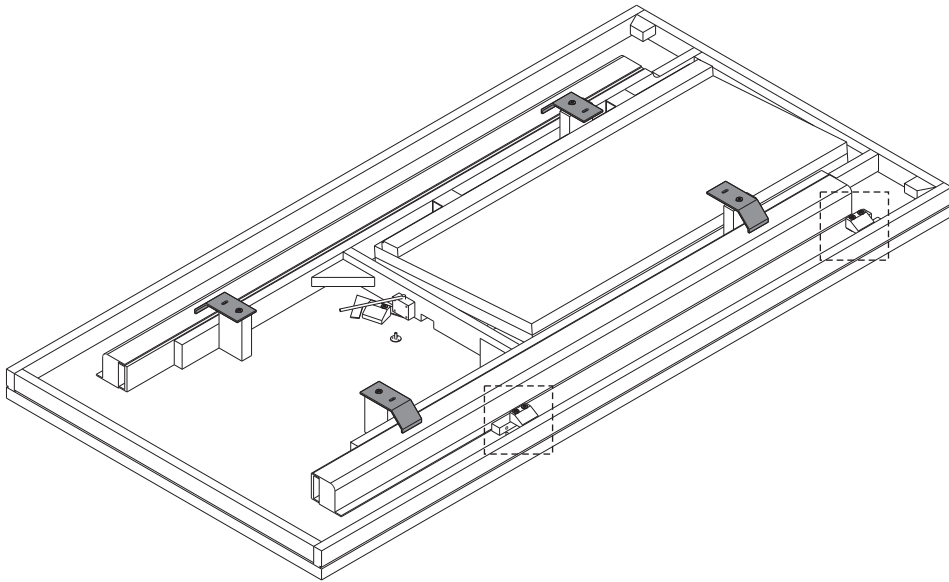
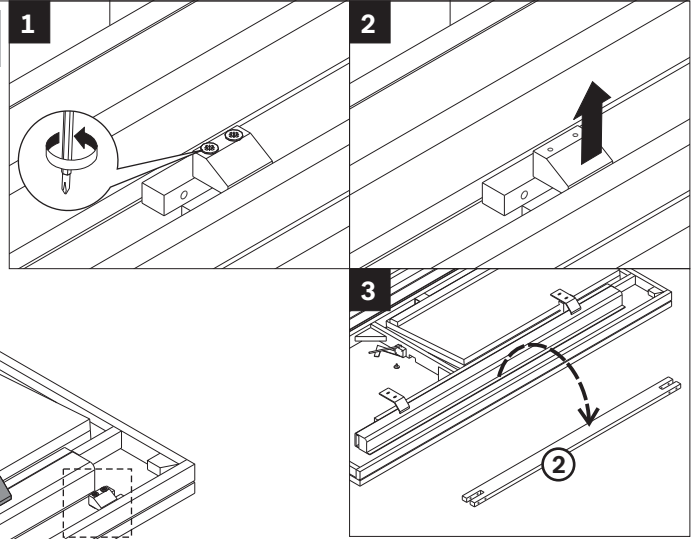


UNLOCK THE TABLE TOP

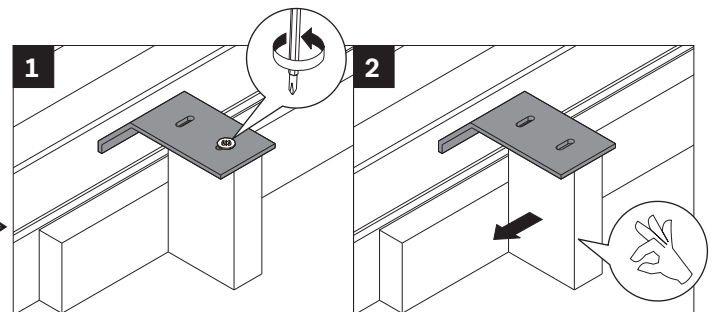
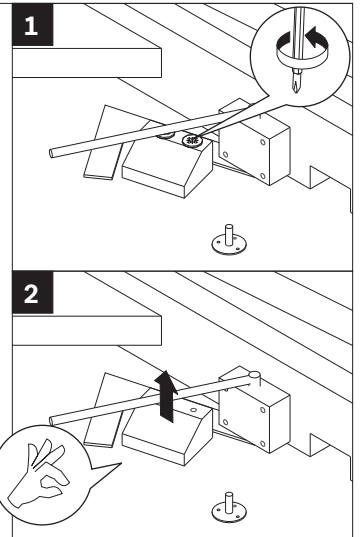
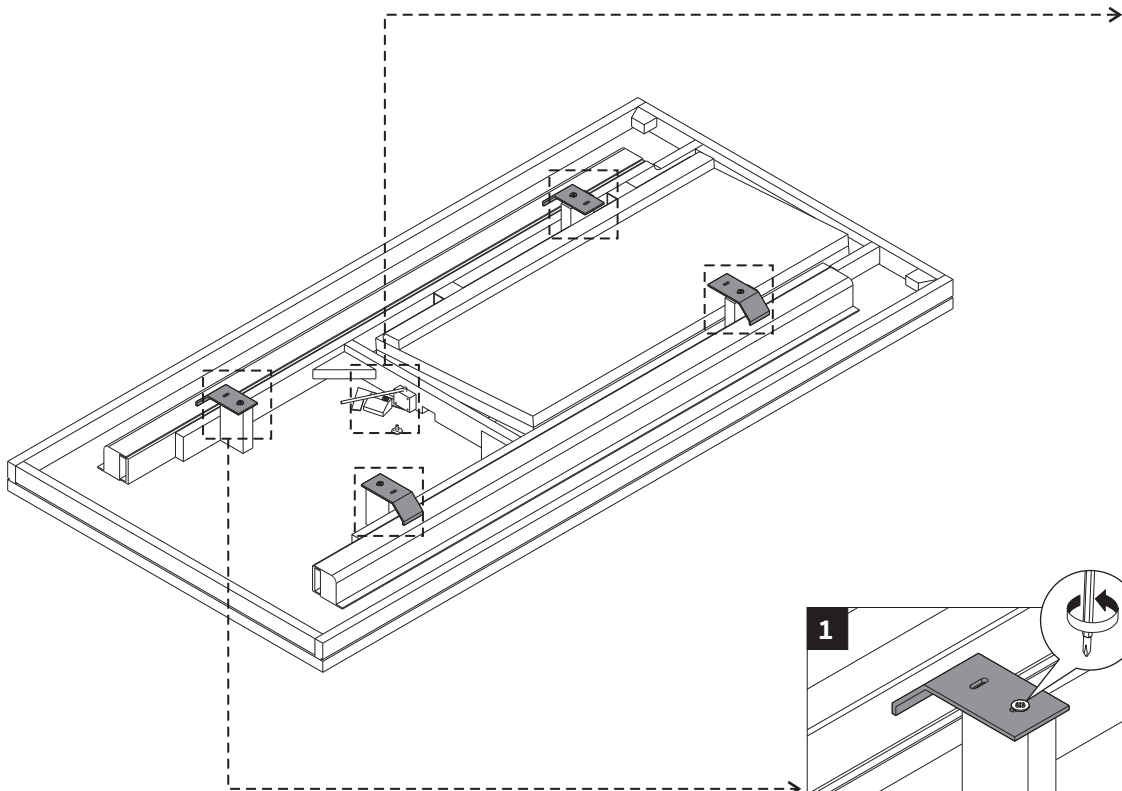


OAK DOUBLE EXTENDABLE DINING TABLE ASSEMBLY INSTRUCTIONS FOR DINING TABLE INSTALLATION

A. REMOVING THE WOODEN LOCKER ON THE CONNECTING BAR

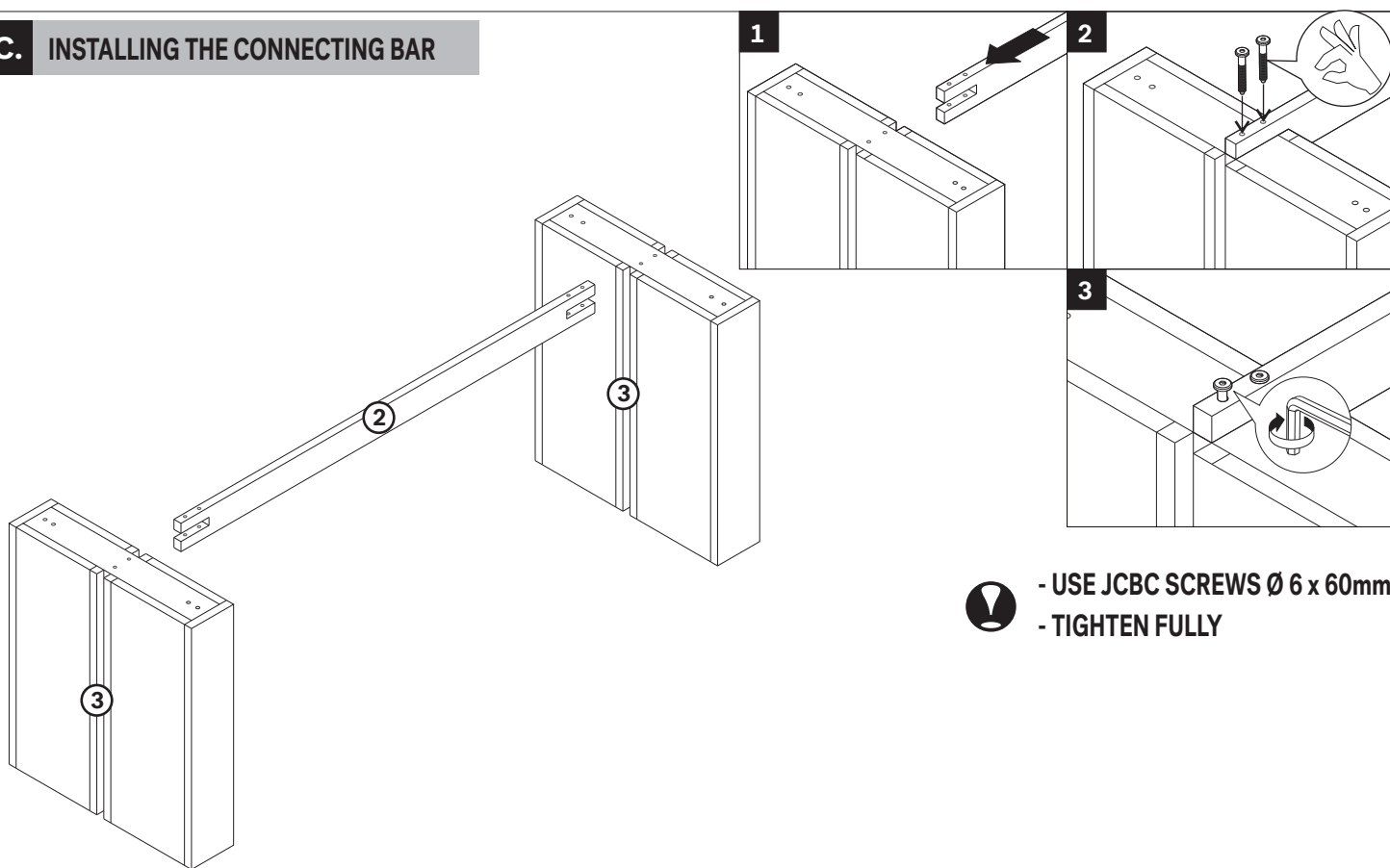


B. REMOVING THE WOODEN LOCKER

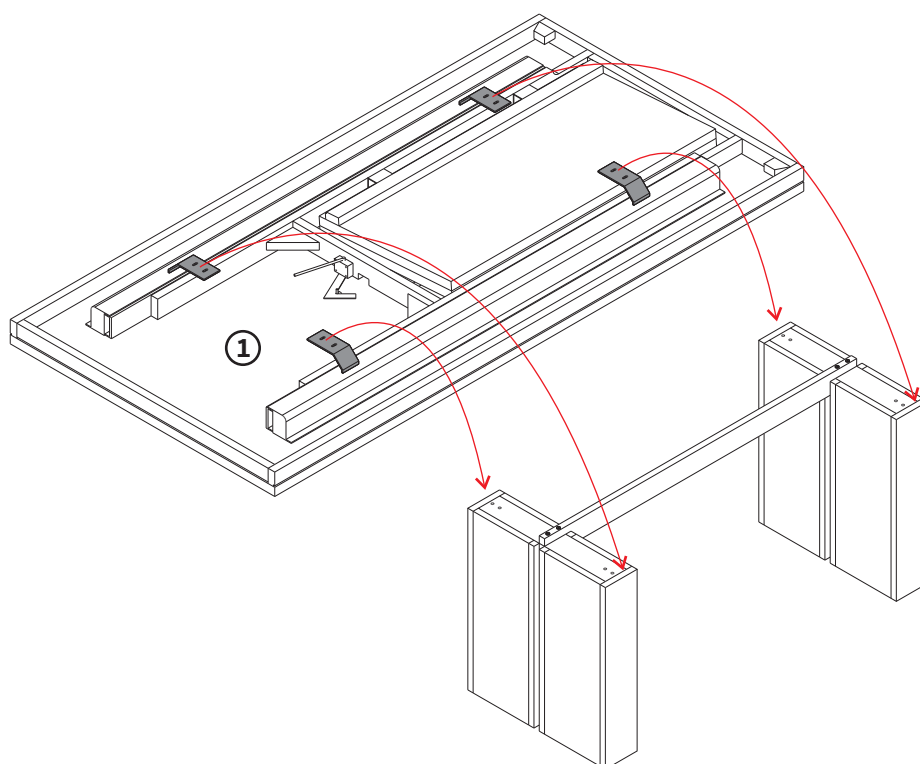


OAK DOUBLE EXTENDABLE DINING TABLE ASSEMBLY INSTRUCTIONS FOR DINING TABLE INSTALLATION

C. INSTALLING THE CONNECTING BAR



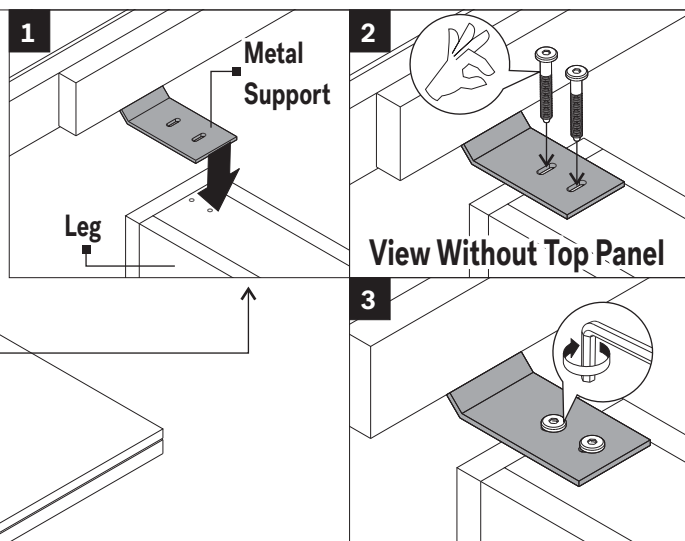
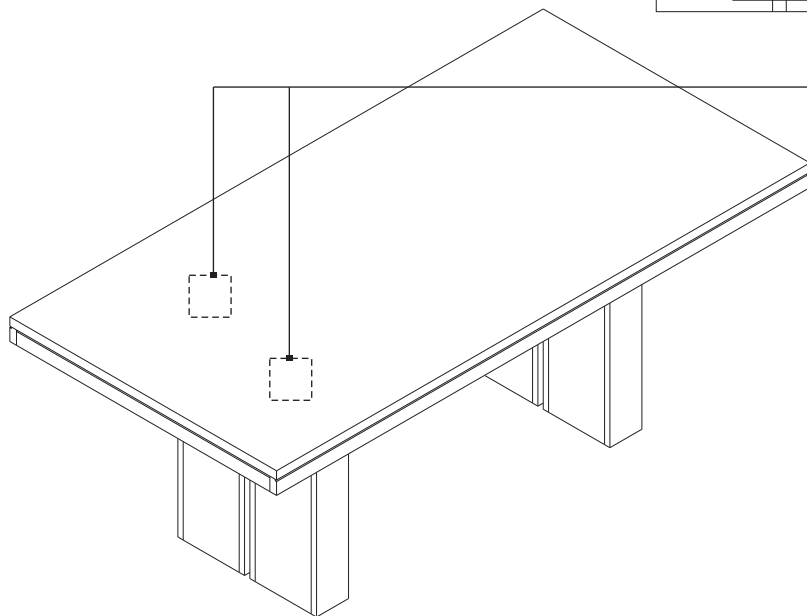
D. INSTALLING THE TABLE TOP TO THE CONNECTING BAR



! MAKE SURE TABLE TOP IS LOCKED POSITION

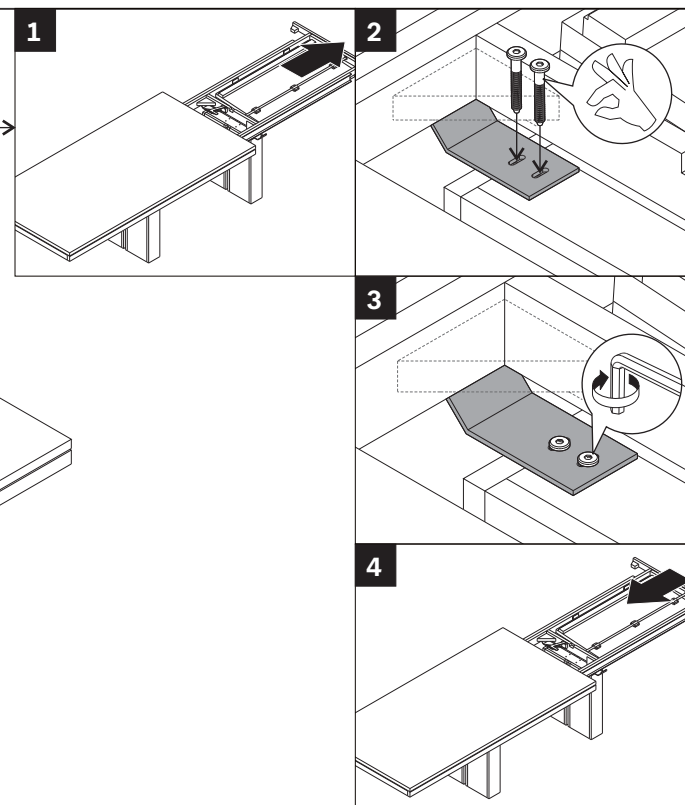
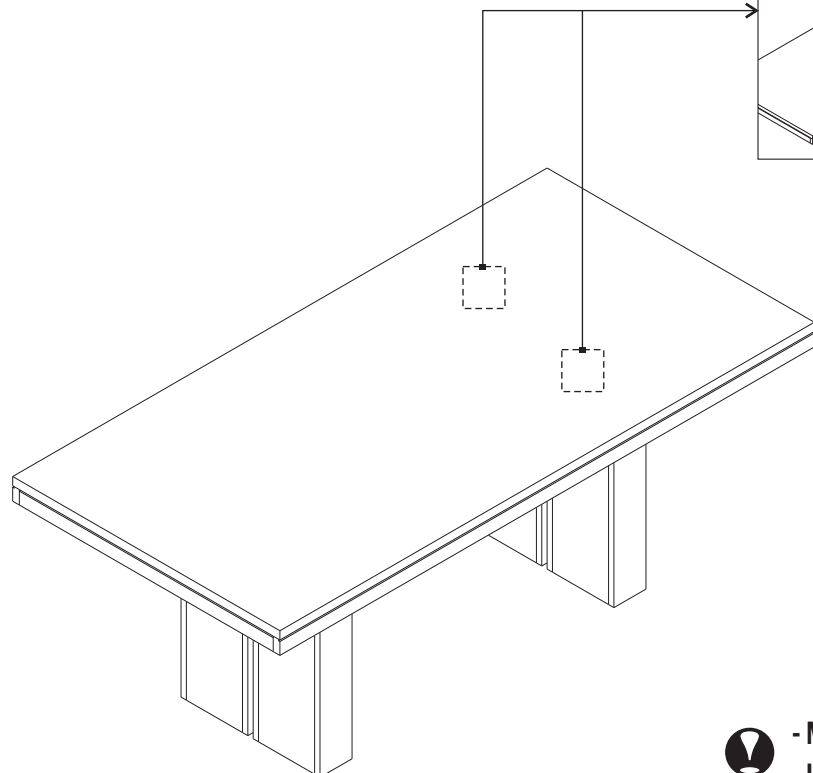
OAK DOUBLE EXTENDABLE DINING TABLE ASSEMBLY INSTRUCTIONS FOR DINING TABLE INSTALLATION


E. FIXING THE TABLE TOP TO THE CONNECTING BAR



-  - USE JCBC SCREWS Ø 6 x 25mm
- TIGHTEN FULLY

F. FIXING THE TABLE TOP TO THE CONNECTING BAR



-  - MAKE SURE TABLE TOP IS IN UN-LOCKED POSITION
- USE JCBC SCREWS Ø 6 x 25mm
- TIGHTEN FULLY

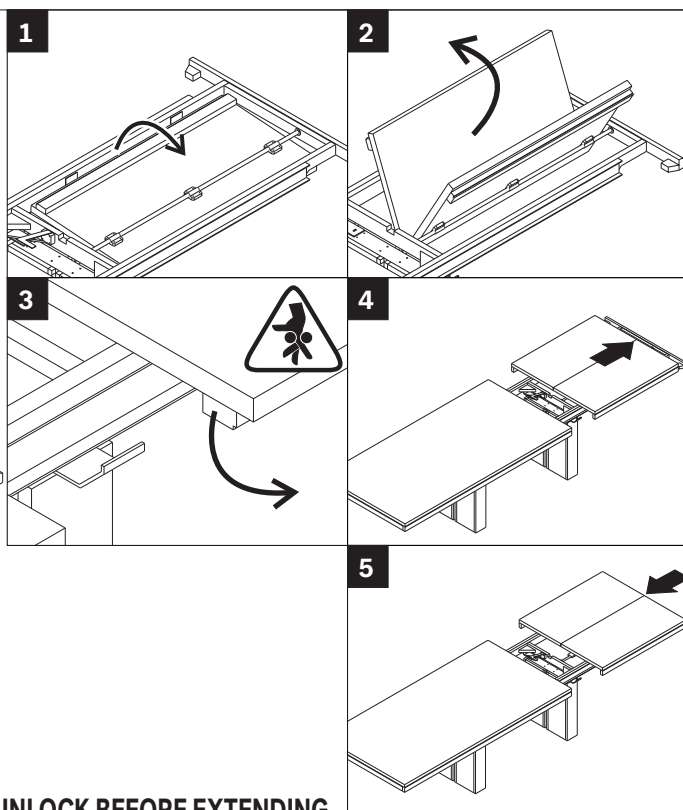
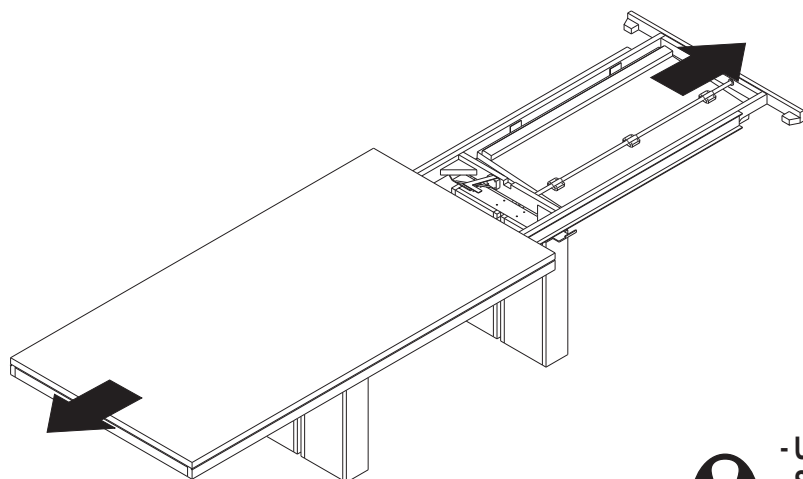
OAK DOUBLE EXTENDABLE DINING TABLE ASSEMBLY INSTRUCTIONS FOR DINING TABLE INSTALLATION

G. EXTENDING

RECOMMENDATION :



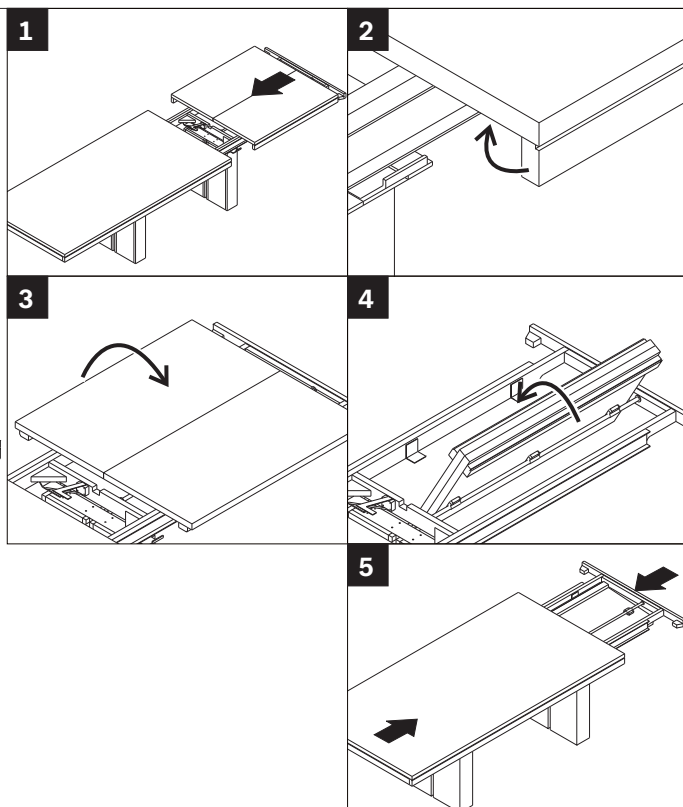
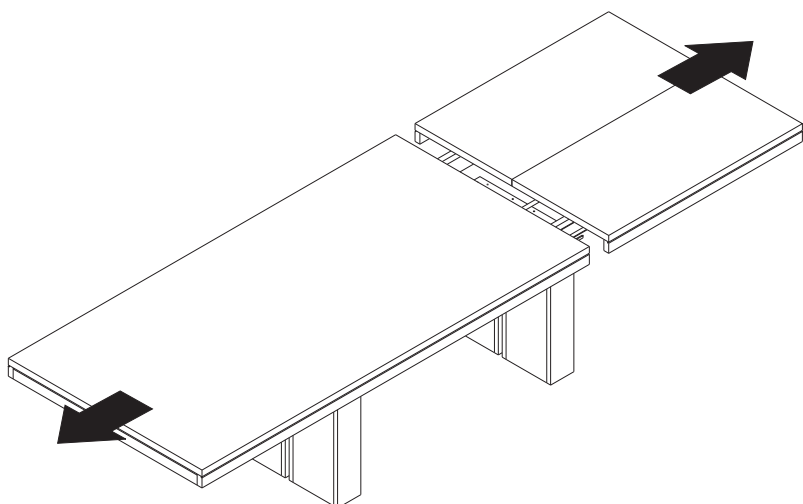
In order to avoid colour differences between the fixed table top and the extensions due to UV light, we suggest to put your dining table in extended version during the first month.



- UNLOCK BEFORE EXTENDING
- SHOULD BE FULLY EXTENDED
- LOCK AFTER EXTENDING
- BE CAREFUL WITH YOUR HANDS



H. DISMANTLING



- UNLOCK BEFORE DISMANTLING
- LOCK AFTER DISMANTLING